

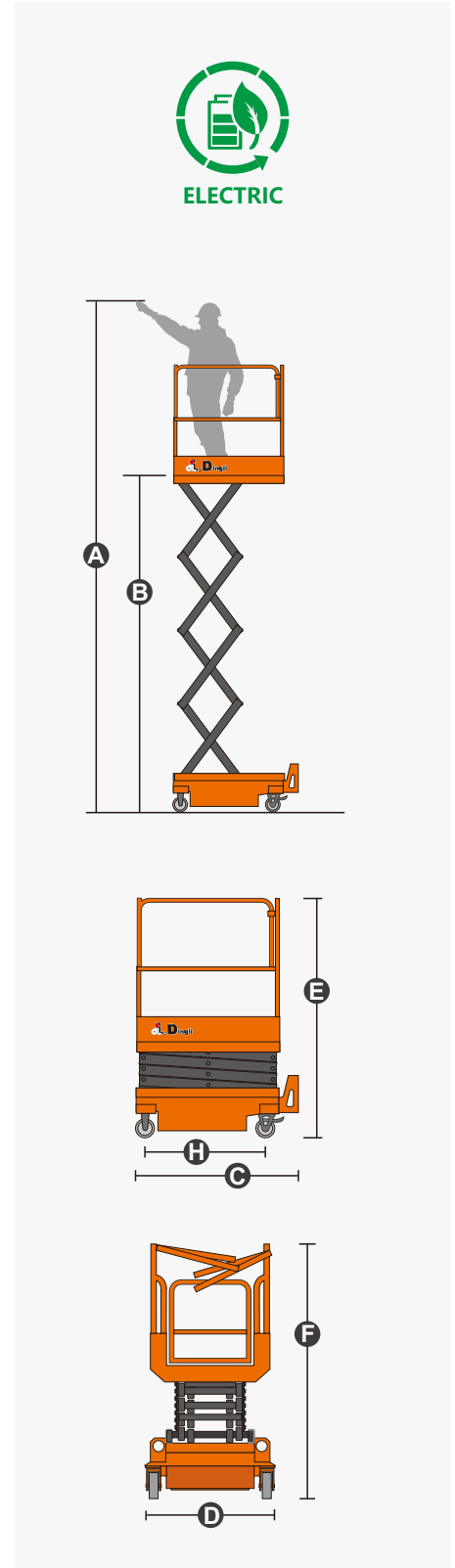
SPECIFICATIONS

Size	Metric	British
Max. Working Height A	5.90m	19ft 4in
Max. Platform Height B	3.90m	12ft 10in
Overall Length C	1.30m	4ft 3in
Overall Width D	0.76m	2ft 6in
Overall Height(Rails Up) E	1.92m	6ft 4in
Overall Height(Rails Down) F	1.52m	5ft
Platform Size(Length×Width)	1.15m×0.70m	3ft 9in×2ft 4in
Ground Clearance	0.06m	2in
Wheelbase H	1.01m	3ft 4in
Tyres	φ150×50mm	φ150×50mm

Performance		
S.W.L	240kg	529lb
Max. Occupants (Indoor/Outdoor)	1/0	1/0
Max. Working Slope	X-1°/Y-1°	X-1°/Y-1°
Up/Down Speed	23/21sec	23/21sec

Weight		
Overall Weight	480kg	1058lb

Power		
Hydraulic Tank	3L	0.8gal
Battery	12V/85Ah	12V/85Ah
Charger	12V/15A	12V/15A
Lifting Motor	12VDC/0.8kW	12VDC/0.8kW



CE EN 280

FEATURES

Standard Items

- Self-Locking Gates
- Automatic Braking System
- Emergency Descent System
- Tubing Explosion-Proof System
- Onboard Fault Diagnostic System
- Tilt Alarm
- Motion Alarm
- Horn
- Hour Meter
- Safety Arm For Troubleshooting
- Standard Transport Forklift Holes
- Charging Protection System
- Flashing LED Beacon
- Charging Indicator
- Lanyard Attachment Point
- Tie-Down And Lifting Points
- Platform Load Sense System
- Emergency Stop Button



ZHEJIANG DINGLI MACHINERY CO., LTD.

Address: No.188 Qihang Road,Deqing,Zhejiang P.R.C 313219

Telephone: +86(572)8681688

E-Mail: export@cndingli.com

[Https://en.cndingli.com](https://en.cndingli.com)

Due to continuous technology updates, technical parameters are subject to change without notice. This picture book is for reference only, the actual product shall prevail. The copyright is owned by zhejiang dingli, any content may not be copied for any purpose without written permission.

2024-04

