

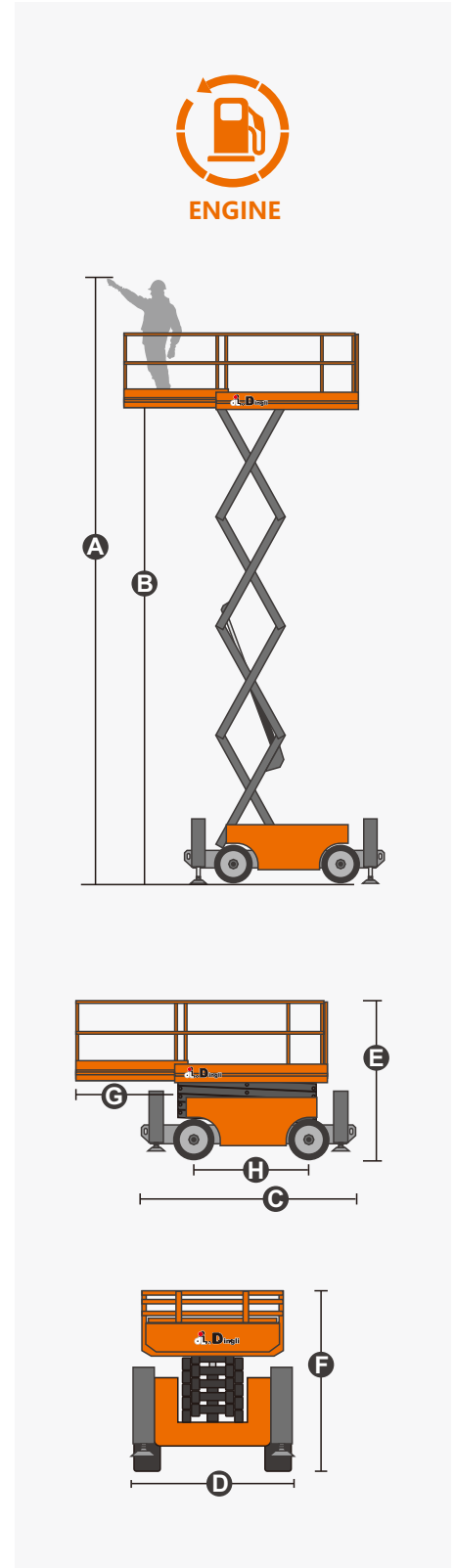
SPECIFICATIONS

Size	Metric	British
Max. Working Height A	12.00m	39ft 4in
Max. Platform Height B	10.00m	32ft 10in
Overall Length(Without Outriggers)	3.19m	10ft 6in
Overall Length(With Outriggers) C	3.84m	12ft 7in
Overall Width D	1.76m	5ft 9in
Overall Height(Rails Up) E	2.59m	8ft 6in
Overall Height(Rails Down) F	1.82m	6ft
Platform Size(Length×Width)	2.88m×1.52m	9ft 5in × 5ft
Platform Extension Size G	1.43m	4ft 8in
Ground Clearance	0.24m	9in
Wheelbase H	2.29m	7ft 6in
Turning Radius(Inside/Outside)	2.15m/4.85m	7ft 1in/15ft 11in
Tyres	26×12-16.5	26×12-16.5

Performance		
S.W.L	454kg	1000lb
S.W.L On Extension	136kg	299lb
Max. Occupants (Indoor/Outdoor)	4/2	4/2
Gradeability	40%	40%
Travel Speed(Stowed)	5.00km/h	3.10mph
Travel Speed(Raised)	0.45km/h	0.28mph
Max. Working Slope	X-1.5°/Y-3°	X-1.5°/Y-3°
Up/Down Speed	38/46sec	38/46sec

Weight		
Overall Weight	4400kg	9700lb

Power		
Diesel Engine	18.2kW/3000rpm	18.2kW/3000rpm
Diesel Tank	47L	12.4gal
Hydraulic Tank	71L	18.7gal



CE EN 280

FEATURES

Standard Items

- Proportional Joystick Controls
- Self-Locking Gates
- One-Way Platform Extension Deck
- Four-Wheel Drive
- Two-Wheel Steering
- Automatic Braking System
- Self-Weight Lowering System
- Tubing Explosion-Proof System
- Onboard Fault Diagnostic System
- Tilt Alarm
- Motion Alarm
- Horn
- Hour Meter
- Hydraulic Oil Cooling System
- Flashing LED Beacon
- Foldable Guard Rails
- Drive Enable
- Manual Brake Release
- Lanyard Attachment Point
- Standard Transport Forklift Pockets
- Tie-Down And Lifting Points
- Automatic Leveling Hydraulic Outriggers
- Anti-Restart Engine Protection
- Emergency Stop Button
- Platform Load Sense System
- Drivable At Full Height
- Oscillating Axle Chassis



ZHEJIANG DINGLI MACHINERY CO., LTD.

Address: No.188 Qihang Road,Deqing,Zhejiang P.R.C 313219

Telephone: +86(572)8681688

E-Mail: export@cndingli.com

[Https://en.cndingli.com](https://en.cndingli.com)

Due to continuous technology updates, technical parameters are subject to change without notice. This picture book is for reference only, the actual product shall prevail. The copyright is owned by zhejiang dingli, any content may not be copied for any purpose without written permission.

2024-05

