

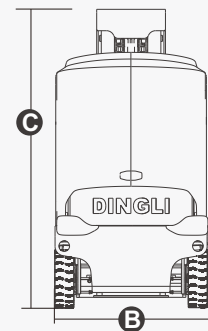
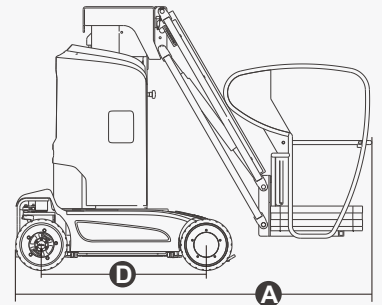
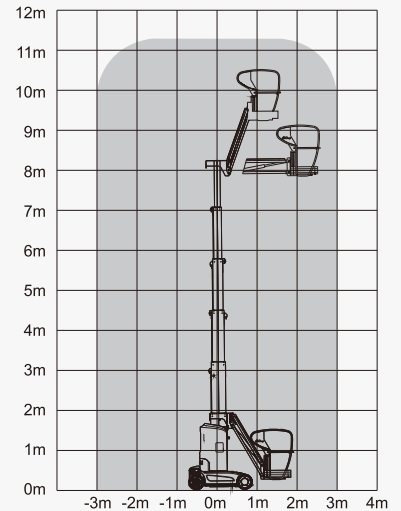
SPECIFICATIONS

Size	Metric	British
Max. Working Height	11.20m	36ft 9in
Max. Platform Height	9.20m	30ft 2in
Overall Length A	2.62m	8ft 7in
Overall Width B	1.00m	3ft 3in
Overall Height C	1.99m	6ft 6in
Platform Size(Length/Width)	0.69m×0.93m	2ft 3in×3ft 1in
Ground Clearance(Stowed)	0.07m	3in
Ground Clearance(Raised)	0.02m	1in
Wheelbase D	1.22m	4ft
Turning Radius(Inside/Outside)	0m/1.80m	0/5ft 11in
Tyres	Φ381×127mm	1ft 3in×5in

Performance		
S.W.L	200kg	440lb
Max. Occupants(Indoor/Outdoor)	2/1	2/1
Gradeability	25%	25%
Max. Working Slope	X-2.5°/Y-2.5°	X-2.5°/Y-2.5°
Turret Rotation	345°	345°
Jib Movement	130°	130°
Travel Speed(Stowed)	5.0km/h	3.11mph
Travel Speed(Raised)	0.5km/h	0.31mph
Up/Down Speed	42/38sec	42/38sec

Weight		
Overall Weight	2970kg	6547lb

Power		
Battery	24V/200Ah	24V/200Ah
Charger	24V/180Ah	24V/180Ah
Driving Motor	24VDC/30A	24VDC/30A
Lifting Motor	2x15VAC/0.87kW	2x15VAC/0.87kW
Hydraulic Tank	15VAC/3kW	15VAC/3kW



FEATURES

Standard Items

- Proportional Joystick Controls
- Drivable At Full Height
- Two-Wheel Steering
- Two-Wheel Drive
- Automatic Brake System
- Emergency Descent System
- Emergency Stop Button
- Onboard Diagnostic System
- Tilt Sensor With Alarm
- All Motion Alarm
- Horn
- Operating Time Display
- Charging Protection System
- Flashing LED Beacon
- Automatic Pothole Protection
- Overload Alarm System



ZHEJIANG DINGLI MACHINERY CO., LTD.

Address: No.188 Qihang Road,Deqing,Zhejiang P.R.C 313219

Telephone: +86(572)8681688

E-Mail: export@cndingli.com

[Https://en.cndingli.com](https://en.cndingli.com)

Due to continuous technology updates, technical parameters are subject to change without notice. This picture book is for reference only, the actual product shall prevail. The copyright is owned by zhejiang dingli, any content may not be copied for any purpose without written permission.

2023-08

