

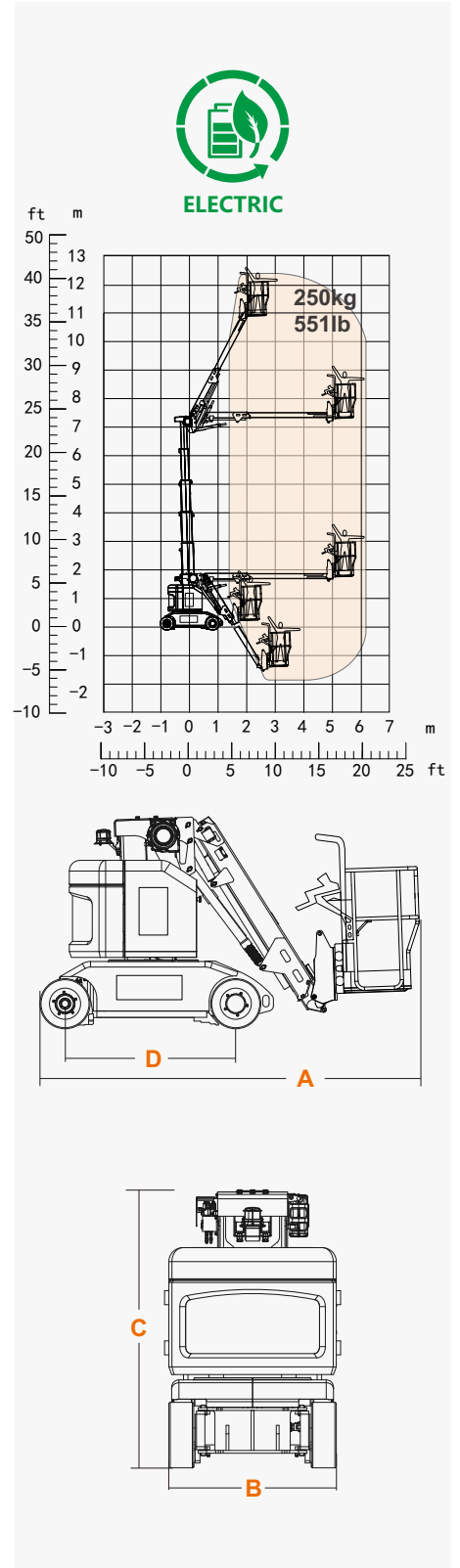
SPECIFICATIONS

Dimension	Metric	British
Max. Working Height	12.40m	40ft 8in
Max. Platform Height	10.40m	34ft 1in
Overall Length A	3.82m	12ft 6in
Overall Width B	1.50m	4ft 11in
Overall Height C	1.99m	6ft 6in
Max. Horizontal Reach	5.50m	18ft
Max. Up And Over Clearance	7.00m	23ft
Platform Size(Length ×Width)	0.75m×1.50m	2ft 5in×4ft 11in
Ground Clearance(Raised/Stowed)	0.1m/0.015m	4in/1in
Wheelbase	1.60m	5ft 3in
Turning Radius(Inside/Outside)	1.00m/2.80m	3ft 3in/9ft 2in
Tyres D	Φ470×178mm	Φ470×178mm

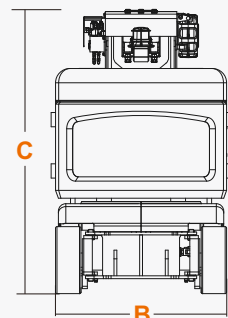
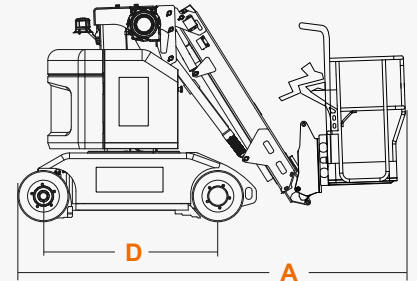
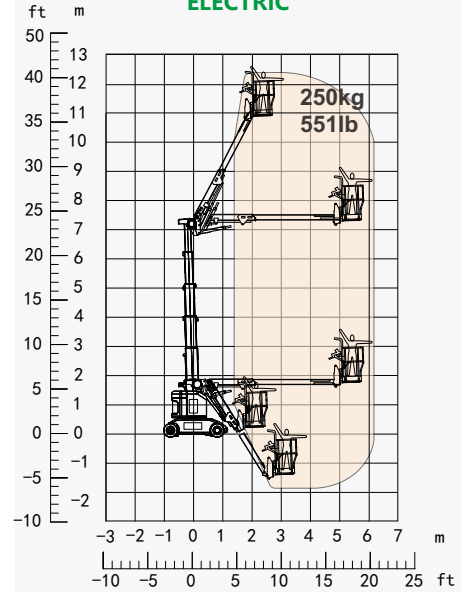
Performance		
S.W.L	250kg	551lb
Max. Occupants(Indoor/Outdoor)	2	2
Gradeability	25%	25%
Travel Speed(Stowed)	≈4.5km/h	≈2.80mph
Travel Speed(Raised)	≈0.5km/h	≈0.31mph
Max. Working Slope(X/Y)	2.5°/2.5°	2.5°/2.5°
Up/Down Speed	42/37sec	42/37sec
Turret Rotation	345°	345°
Jib Movement	60°~-60°	60°~-60°
Platform Rotation	±60°	±60°

Weight		
Overall Weight	4970kg	10957lb

Power		
Lead-Acid Maintenance-Free Battery	48V/200Ah	48V/200Ah
Charger	48V/35A	48V/35A
Driving Motor	2×32VAC/2.0kW	2×32VAC/2.0kW
Lifting Motor	30VAC/5.0kW	30VAC/5.0kW



ELECTRIC



FEATURES

Standard Items

- Proportional Joystick Controls
- Drivable At Full Height
- Automatic Braking System
- Emergency Descent System
- Emergency Stop Button
- Fault Diagnosis System
- Tilt Alarm
- Motion Alarm
- Horn
- Hour Meter
- Charging Protection System
- Flashing Beacon
- Overload alarm system



ZHEJIANG DINGLI MACHINERY CO., LTD.

Address: No.188 Qihang Road,Deqing,Zhejiang P.R.C 313219

Telephone: +86(572)8681688

E-Mail: export@cndingli.com

[Https://en.cndingli.com](https://en.cndingli.com)

Due to continuous technology updates, technical parameters are subject to change without notice. This picture book is for reference only, the actual product shall prevail. The copyright is owned by zhejiang dingli, any content may not be copied for any purpose without written permission.

2024-11

